

## Sight Glasses

## Sizes

- 1" - 6" O.D. tube

## Materials

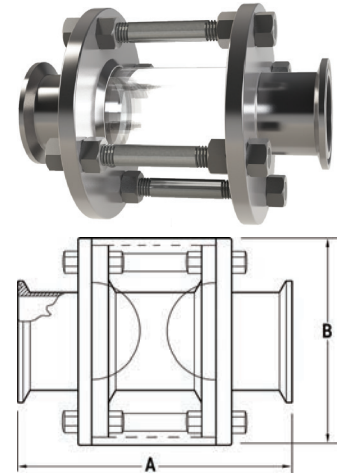
- Body: 316L stainless steel
- Sight glass: Borosilicate glass or polycarbonate
- Gaskets: white nitrile rubber or FKM
- 32Ra sanitary finish, I.D. and O.D.

## In-line - B54BMP

## Specifications

- Various end configurations are available: clamp, weld, bevel seat, John Perry, I-Line and Q-Line
- Maximum temperature: 200°F (93°C)

Tube O.D.	A (in)	B (in)	Working Pressure (PSI)	316L Stainless Steel Borosilicate Glass Part #	316 Stainless Steel Polycarbonate Part #
1"	5.625	3.250	145	B54BMP-R100	B54BMP-R100LX
1-1/2"	5.625	4.000	145	B54BMP-R150	B54BMP-R150LX
2"	5.625	4.250	145	B54BMP-R200	B54BMP-R200LX
2-1/2"	6.125	4.750	120	B54BMP-R250	B54BMP-R250LX
3"	7.250	5.500	120	B54BMP-R300	B54BMP-R300LX
4"	7.375	6.500	95	B54BMP-R400	B54BMP-R400LX
6"	7.625	9.500	80	B54BMP-R600	B54BMP-R600LX



## Kits and Replacement Parts

Size	Nitrile Rubber Seal Kit Part #	FKM Seal Kit Part #	Borosilicate Glass Replacement Part #	Polycarbonate Replacement Part #
1"	B54BMP-SK100	B54BMP-VK100	B54G-P100	B54BMP-LX100
1-1/2"	B54BMP-SK150	B54BMP-VK150	B54G-P150	B54BMP-LX150
2"	B54BMP-SK200	B54BMP-VK200	B54G-P200	B54BMP-LX200
2-1/2"	B54BMP-SK250	B54BMP-VK250	B54G-P250	B54BMP-LX250
3"	B54BMP-SK300	B54BMP-VK300	B54G-P300	B54BMP-LX300
4"	B54BMP-SK400	B54BMP-VK400	B54G-P400	B54BMP-LX400
6"	B54BMP-SK600	B54BMP-VK600	B54G-P600	B54BMP-LX600

NOTE: Seal kit contains: (2) white nitrile rubber gaskets

## Acrylic Sight Glass End Caps - B5416MP

## Feature

- For use on any line with a clamp and gasket

## Specifications

- Maximum temperature: 150°F (66°C)
- Maximum operating pressure: 100 PSI

Tube O.D.	A (in)	B (in)	C (in)	D (in)	Acrylic Plastic Part #
1" - 1-1/2"	1.98	1.72	1.68	.50	B5416MP-A100150
2"	2.52	2.22	2.19	.50	B5416MP-A200
2-1/2"	3.05	2.78	2.71	.50	B5416MP-A250
3"	3.58	3.28	3.22	.50	B5416MP-A300
4"	4.68	4.34	4.26	.50	B5416MP-A400
6"	6.57	6.18	6.13	.50	B5416MP-A600
8"	8.57	8.17	8.22	.50	B5416MP-A600

