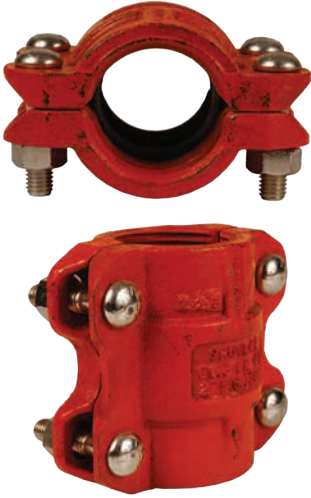


## High Density Polyethylene (HDPE) Couplings

Pipe, Welding  
& Tube Fittings



**Applications:**

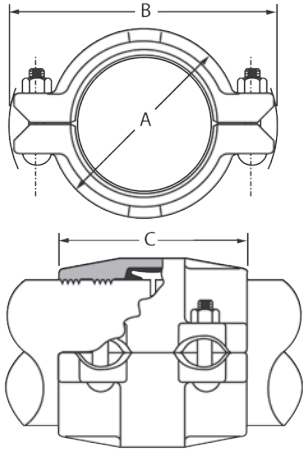
- designed for mechanically joining high density polyethylene pipe and fittings

**Features:**

- ductile iron body with rust inhibiting paint
- uses four bolts to drive the sharply machined housing teeth into the outside of the pipe

- Comparable to:  
Grinnell's #9095

Nominal Size	Pipe OD	Bolts			Ductile Iron	
		qty	size	length	Part # with EPDM gasket	Part # with Buna-N gasket
2"	2.375"	4	1/2"	2 3/8"	<b>HDPE200</b>	<b>HDPE200BU</b>
3"	3.500"	4	1/2"	3"	<b>HDPE300</b>	<b>HDPE300BU</b>
4"	4.500"	4	1/2"	3"	<b>HDPE400</b>	<b>HDPE400BU</b>
6"	6.625"	4	5/8"	3 1/2"	<b>HDPE600</b>	<b>HDPE600BU</b>



**Dimensions**

A	B	C
3 3/8"	5 1/2"	4 5/8"
4 5/8"	6 3/4"	4 5/8"
5 1/4"	8"	5 3/4"
7 1/2"	11"	5 7/8"