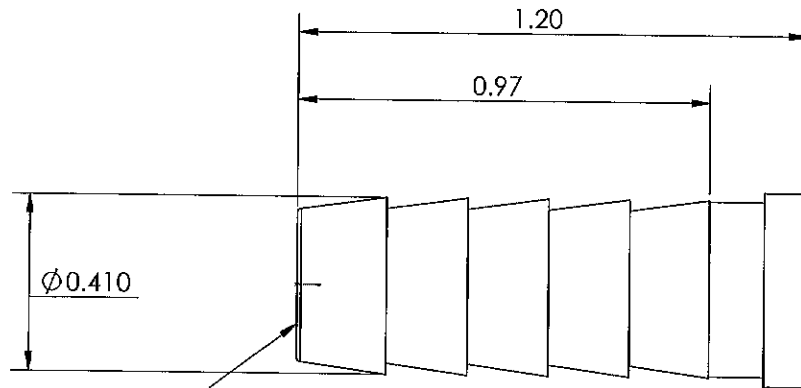
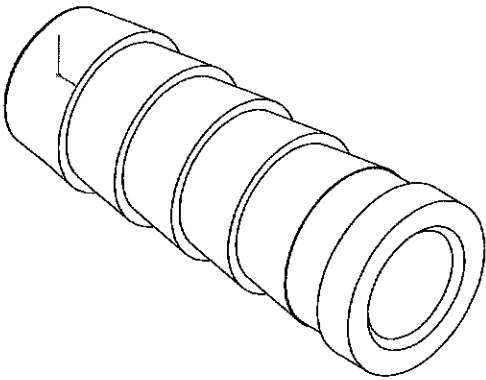



LINE DRAWING NOT FOR PRODUCTION PURPOSES

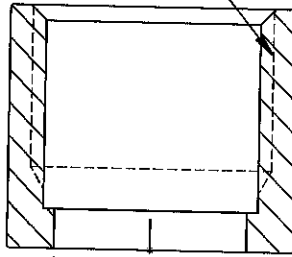
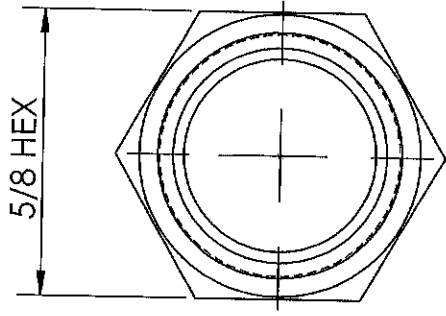
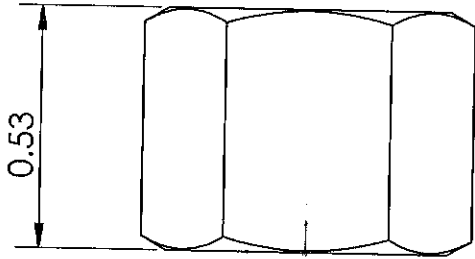


THRU HOLE DIA. .281



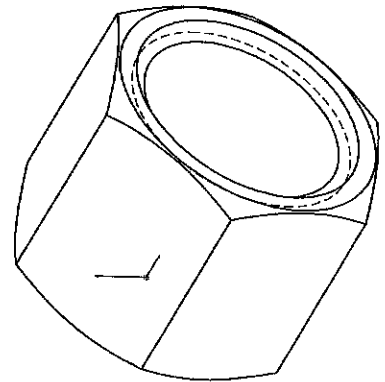
THIS DRAWING CONTAINS INFORMATION DEEMED PROPRIETARY TO DIXON BRASS AND IS SO TO BE USED ONLY FOR THE PURPOSE FOR WHICH IT IS SUBMITTED, AND FURTHER, SHALL NOT BE COPIED IN WHOLE OR IN PART WITHOUT EXPRESS WRITTEN PERMISSION FIRST OBTAINED FROM DIXON BRASS.			
UNLESS OTHERWISE SPECIFIED:		DRAWN	
DIMENSIONS ARE IN INCHES		P. MONAGHAN	
TOLERANCES:		APPROVED	
ANGLES: ±0°30'		DATE	
.X (±.015)		ECO NO.	
.XX (±.010)		DRAWING NOT REPRODUCED TO SCALE	
.XXX (±.005)		DWG. NO.	
DIMENSIONS PER ANSI Y14.5		REV	
 Dixon Brass Westmont, Illinois USA		TITLE: 3/8 SWIVEL STEM GASKET SEAT TYPE	
SIZE A		DWG. NO. 1260604S	
		REV B	

LINE DRAWING NOT FOR PRODUCTION PURPOSES



(THRU HOLE DIA.) $\varnothing 0.42$

1/4 - 18 NPSM
THREAD



THIS DRAWING CONTAINS INFORMATION DEEMED PROPRIETARY TO DIXON BRASS AND IS SO TO BE USED ONLY FOR THE PURPOSE FOR WHICH IT IS SUBMITTED, AND FURTHER, SHALL NOT BE COPIED IN WHOLE OR IN PART WITHOUT EXPRESS WRITTEN PERMISSION FIRST OBTAINED FROM DIXON BRASS, UNLESS OTHERWISE SPECIFIED:

DIMENSIONS ARE IN INCHES
TOLERANCES:
ANGLES: $\pm 0^{\circ} 30'$
XXX (± 0.015)
XX (± 0.010)
XXX (± 0.005)
DIMENSIONS PER ANSI Y14.5



Dixon Brass
Westmont, Illinois USA

DRAWN: P. MONAGHAN
DATE: 2/27/14
APPROVED: [Signature]
DATE: [Blank]
ECO NO. [Blank]

TITLE: FEMALE SWIVEL NUT
1/4 - 18 NPSM

SIZE: A
DWG. NO.: 1240604N
REV: B

DRAWING NOT REPRODUCED TO SCALE