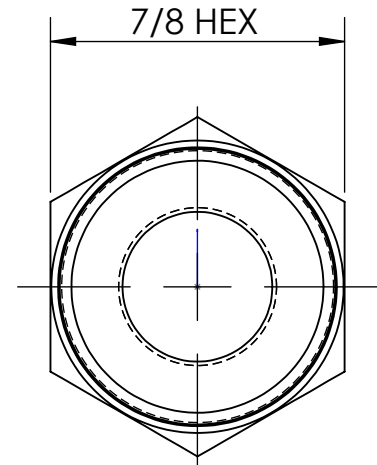
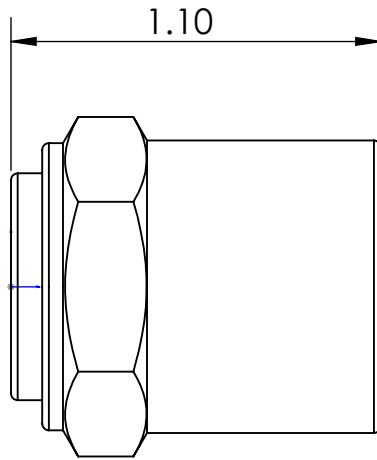
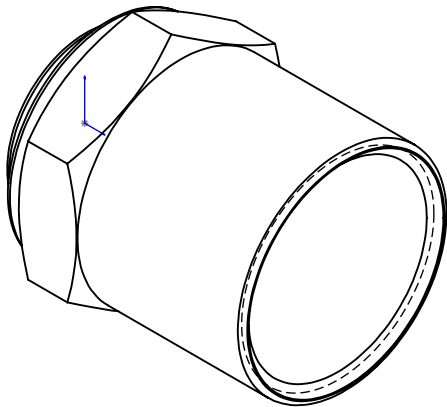
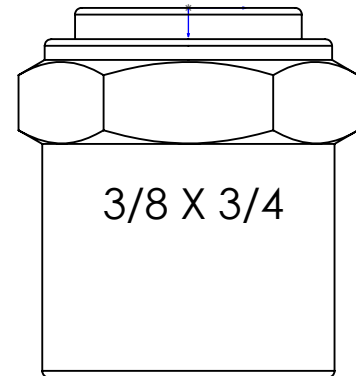
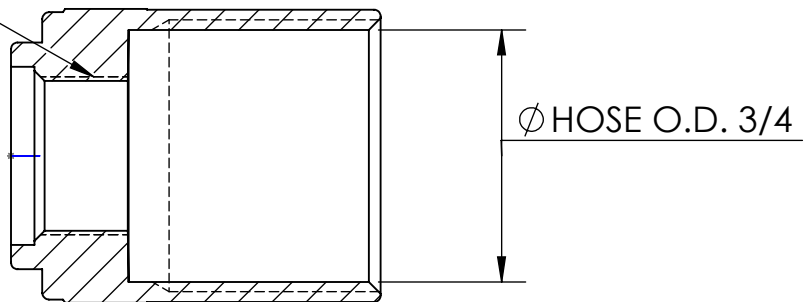



LINE DRAWING NOT FOR PRODUCTION PURPOSES



1/2 - 20 UNF 2B  
HOSE I.D. 3/8



THIS DRAWING CONTAINS INFORMATION DEEMED PROPRIETARY TO DIXON BRASS AND IS SO TO BE USED ONLY FOR THE PURPOSE FOR WHICH IT IS SUBMITTED, AND FURTHER, SHALL NOT BE COPIED IN WHOLE OR IN PART WITHOUT EXPRESS WRITTEN PERMISSION FIRST OBTAINED FROM DIXON BRASS.			
UNLESS OTHERWISE SPECIFIED:		 <b>Dixon Brass</b> Westmont, Illinois USA	DRAWN P. MONAGHAN DATE 10/9/14
DIMENSIONS ARE IN INCHES TOLERANCES: ANGLES: ±0°30' .X (±.015) .XX (±.010) .XXX (±.005) DIMENSIONS PER ANSI Y14.5			APPROVED DATE
TITLE:		DRAWING NOT REPRODUCED TO SCALE	
RE - USABLE FERRULE		SIZE <b>A</b>	DWG. NO. 1800612F
		REV	B